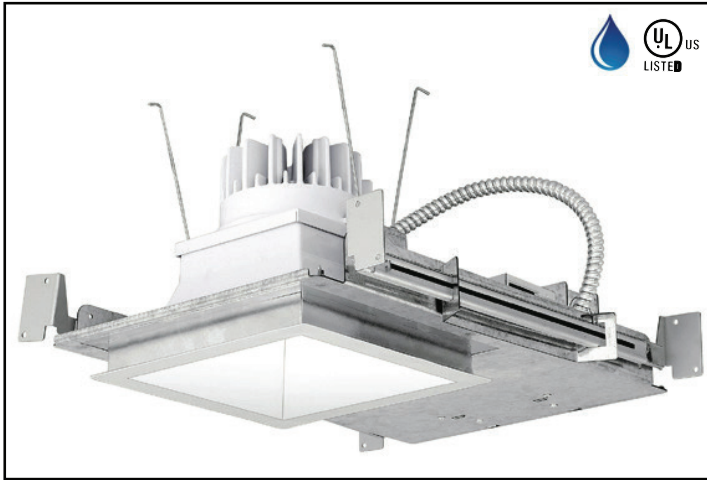
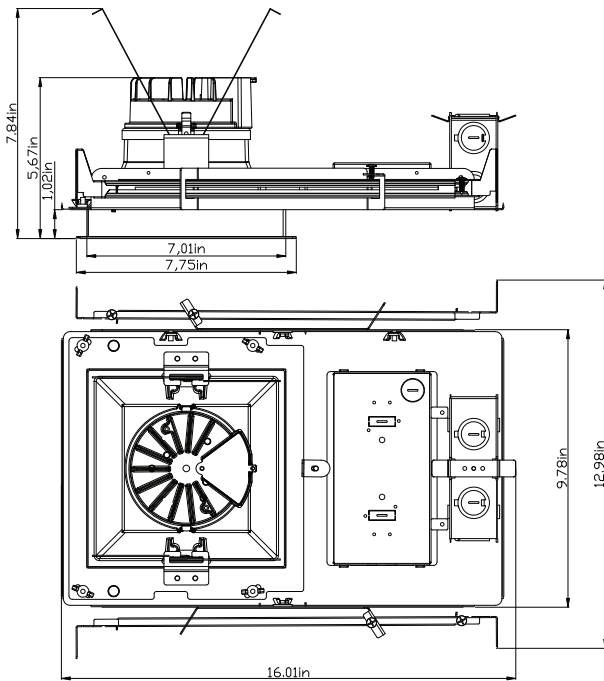


PRODUCT IMAGES



Standard Dimensions:



See Page 3 for additional dimensioned Line Art

SPECIFICATIONS

Applications:

- New Construction Recessed Downlight suitable for Commercial and Architectural Applications.
- Suitable for ambient temperatures up to 35C (95F) with free airflow around fixture.

Key Dimensions

- Aperture – 6.25"
- Ceiling Cutout – 7.1"
- Overlap Flange – 7.75"

Construction:

- Galvanized Steel New Construction Housing
- Telescoping Bar Hangers Included (up to 24" grid)
- Light Engine and Driver Can Extend below the ceiling for ease of accessibility
- Adjust of up to 7 degrees (each direction) rotationally for proper square alignment

Optical System:

- Self Flanged Aluminum Reflector with Semi-Diffuse Anodized Finish
- 80+ CRI / 3 SDCM Color Consistency
- 70% Lumen Maintenance at 50,000+ Hours
- 80 to 100 Lumens Per Watt
- Field Configurable Kelvin Temperature to 30K, 35K or 40K
- Lensed Wall Wash Option Available, may be orientated in 90 degree increments to housing

Electrical:

- 120 thru 277v 50/60hz Input Power
- <20% THD; PF > 0.9
- EMI FCC 47CFR Part 15, Class A
- Standard 0-10v dimming to 10%, 1% dimming available,
- Driver Sources up to 2ma of current to the dimming circuit
- FCC Part15, Class A

Certifications:

- UL listed for:
- Wet Location under covered ceilings with Downlight Option

Battery Back Up

- EMR option supplied with a pre-wired 7watt LED battery that is UL Listed for Field Installation. Remote Test Switch included.
- With EMI option, battery is accessible from below the ceiling. Top access required for EMR option.
- EMI Option supplied with a pre-wired 6watt, self-diagnostic, LED battery that is UL Listed for field installation. Test switch is supplied pre-installed integral with the reflector. Not suitable for use with Wall Wash reflector.

Warranty:

- Standard 5 Year Limited Warranty
- See www.heliosltg.com/warranty for Details.

ORDERING INFORMATION

ORDERING EXAMPLE: 6S15L35KAN

Aperture	Output	Kelvin	Reflector	Function	Dimming	Emergency
6S - 6" Square	10L - 1000 lumens	30K	AN - Semi-Diffuse Anodized Cone and Flange	Blank - Downlight	Blank - 10%, 0-10V	Blank - No Battery
	15L - 1500 lumens	35K	WF - Anodized Cone and White Flange	WW- Lens Wall Wash	DM1- 1%, 0-10V	EMR - Battery Back Up with Remote Test Switch
	20L - 2000 lumens	40K	WH - White Cone & Trim			EMI - Battery Back Up with Integral Test Switch
	25L - 2500 lumens		BF - Anodized Cone & Black Flange			GTD - Generator Transfer Device, 0-10v compatible
	30L - 3000 lumens		BL - Black Cone and Black Flange			

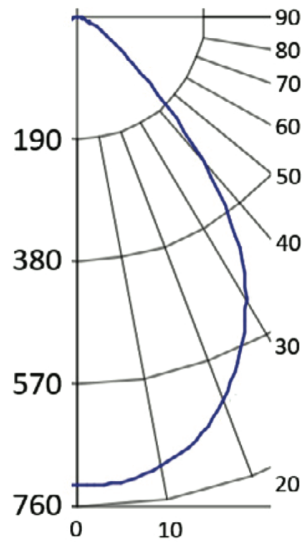
Housing and Reflector Ship Separately

Due to our continued efforts to improve our products, product specifications are subject to change without notice.

PHOTOMETRICS - 10L

Fixture: **6S10L35KAN**
LED: 3500 Kelvin, 80+ CRI

Delivered Lumens: 967
System Wattage: 9.9
System LPW: 98
Spacing Criteria: 1.08



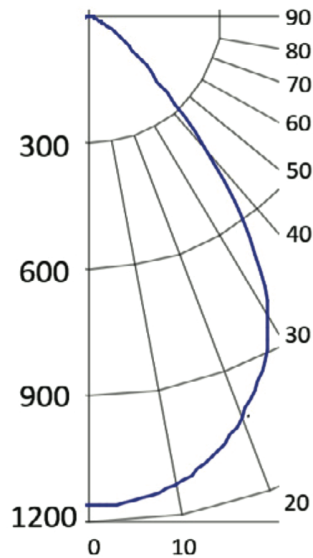
Degrees	Candela	Zonal Lumens		
		Zone	Total	% Luminaire
0				
10		69	69	7.1%
20		191	260	26.9%
30		263	523	54.1%
40		254	777	80.4%
50		135	912	94.3%
60		44	956	98.9%
70		9	965	99.8%
80		2	967	100.0%
90		0	967	100.0%

Test System: EVERFINE GO-R5000_V2 SYSTEM V2.0.403
Test Date: 2019-03-24
Tested in accordance to IESNA LM-79-2008

PHOTOMETRICS - 15L

Fixture: **6S15L35KAN**
LED: 3500 Kelvin, 80+ CRI

Delivered Lumens: 1498
System Wattage: 15.9
System LPW: 94
Spacing Criteria: 1.1



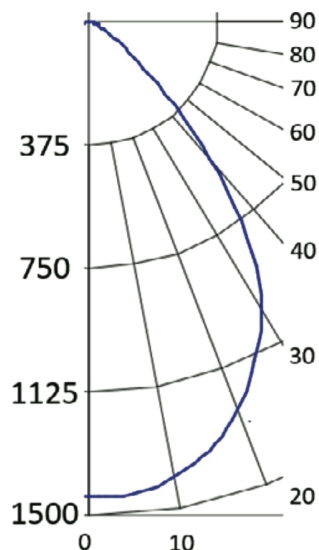
Degrees	Candela	Zonal Lumens		
		Zone	Total	% Luminaire
0	1162			
10	1129	110	110	7.3%
20	1015	304	414	27.6%
30	818	426	840	56.1%
40	409	390	1230	82.1%
50	129	181	1411	94.2%
60	34	68	1479	98.7%
70	7	16	1495	99.8%
80	1	3	1498	100.0%
90	0	0	1498	100.0%

Test System: EVERFINE GO-R5000_V2 SYSTEM V2.0.403
Test Date: 2019-03-24
Tested in accordance to IESNA LM-79-2008

PHOTOMETRICS - 20L

Fixture: **6S20L35KAN**
LED: 3500 Kelvin, 80+ CRI

Delivered Lumens: 1889
System Wattage: 18
System LPW: 105
Spacing Criteria: 1.08



Degrees	Candela	Zonal Lumens		
		Zone	Total	% Luminaire
0	1443			
10	1408	137	137	7.3%
20	1261	379	516	27.3%
30	1002	524	1040	55.1%
40	547	491	1531	81.0%
50	169	252	1783	94.4%
60	41	83	1866	98.8%
70	8	19	1885	99.8%
80	2	4	1889	100.0%
90	0	0	1889	100.0%

Test System: EVERFINE GO-R5000_V2 SYSTEM V2.0.403
Test Date: 2019-01-16
Tested in accordance to IESNA LM-79-2008

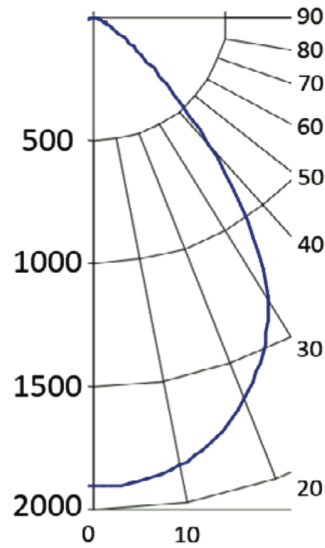
Housing and Reflector Ship Separately

Due to our continued efforts to improve our products, product specifications are subject to change without notice.

PHOTOMETRICS - 25L

Fixture: **6S25L35KAN**
 LED: 3500 Kelvin, 80+ CRI

Delivered Lumens: 2441
 System Wattage: 25.3
 System LPW: 96
 Spacing Criteria: 1.08



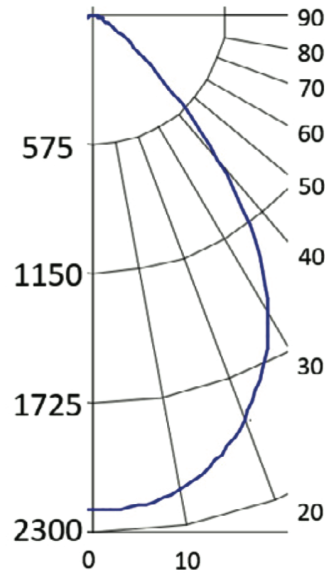
Degrees	Candela	Zonal Lumens		
		Zone	Total	% Luminaire
0	1907			
10	1850	179	179	7.3%
20	1659	498	677	27.7%
30	1310	690	1367	56.0%
40	669	622	1989	81.5%
50	215	310	2299	94.2%
60	57	109	2408	98.6%
70	11	27	2435	99.8%
80	2	6	2441	100.0%
90	0	0	2441	100.0%

Test System: EVERFINE GO-R5000_V2 SYSTEM V2.0.403
 Test Date: 2019-03-24
 Tested in accordance to IESNA LM-79-2008

PHOTOMETRICS - 30L

Fixture: **6S30L35KAN**
 LED: 3500 Kelvin, 80+ CRI

Delivered Lumens: 2884
 System Wattage: 29.9
 System LPW: 96
 Spacing Criteria: 1.08



Degrees	Candela	Zonal Lumens		
		Zone	Total	% Luminaire
0	2198			
10	2147	208	208	7.2%
20	1919	577	785	27.2%
30	1527	797	1582	54.9%
40	843	751	2333	80.9%
50	257	388	2721	94.3%
60	63	128	2849	98.8%
70	12	28	2877	99.8%
80	2	7	2884	100.0%
90	0	0	2884	100.0%

Test System: EVERFINE GO-R5000_V2 SYSTEM V2.0.403
 Test Date: 2019-03-24
 Tested in accordance to IESNA LM-79-2008

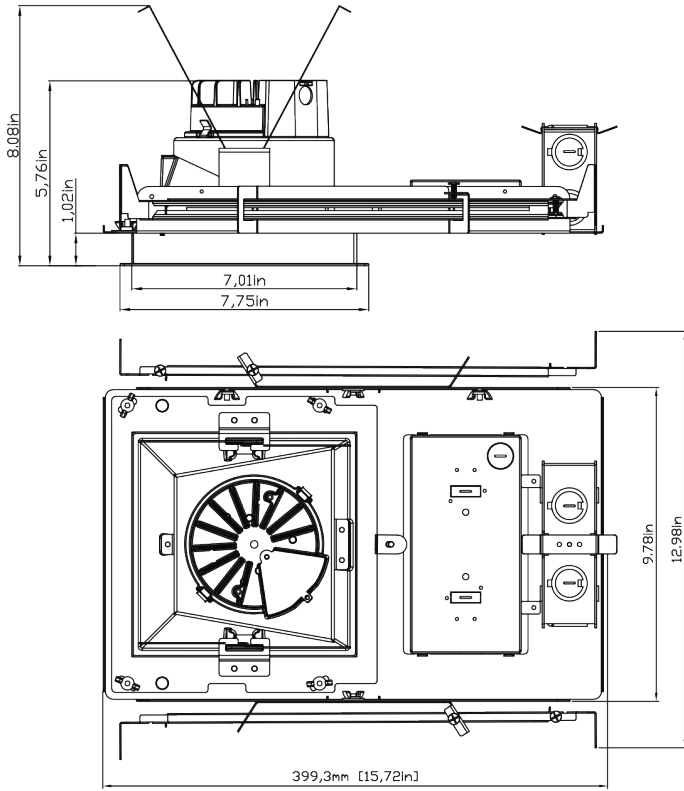
Housing and Reflector Ship Separately

Due to our continued efforts to improve our products, product specifications are subject to change without notice.

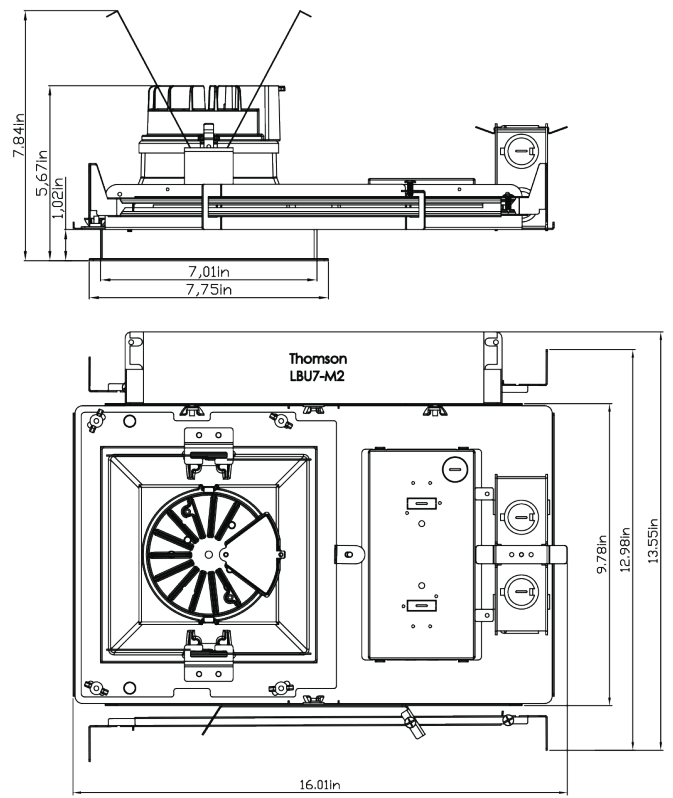
© 2019 Helios Lighting • All Rights Reserved • For more information visit our website: www.heliosltg.com

Revision: 08/17/23

Wall Wash Dimensions:



EMR Battery Backup Dimensions:



Housing and Reflector Ship Separately

Due to our continued efforts to improve our products, product specifications are subject to change without notice.

© 2019 Helios Lighting • All Rights Reserved • For more information visit our website: www.heliosltg.com

Revision: 08/17/23