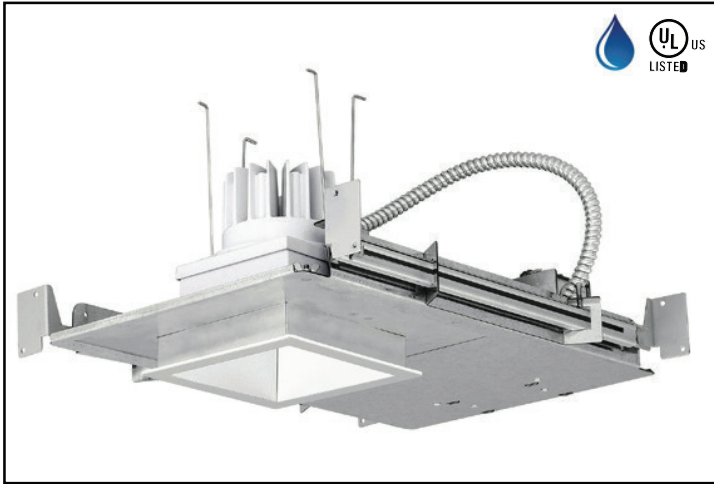
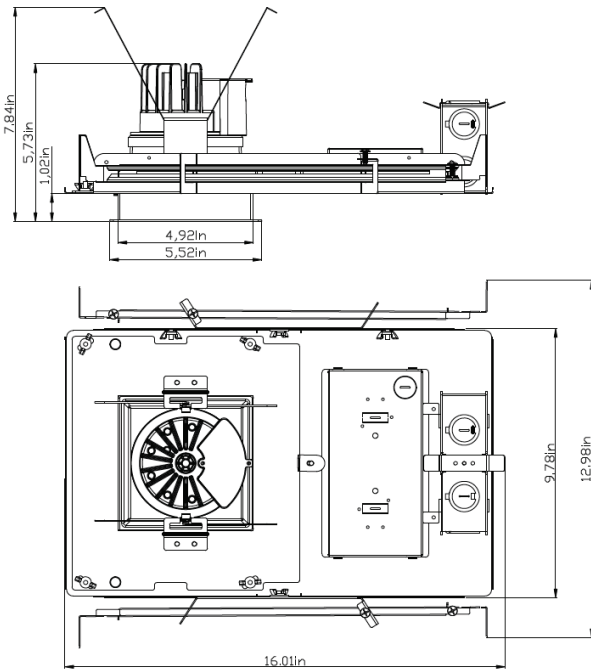


PRODUCT IMAGES



Standard Dimensions:



SPECIFICATIONS

Applications:

- New Construction Recessed Downlight suitable for Commercial and Architectural Applications.
- Suitable for ambient temperatures up to 35C (95F) with free airflow around fixture.

Key Dimensions

- Aperture – 4.375"
- Ceiling Cutout – 4.875"
- Overlap Flange – 5.50"

Construction:

- Galvanized Steel New Construction Housing
- Telescoping Bar Hangers Included (up to 24" grid)
- Light Engine and Driver Can Extend below the ceiling for ease of accessibility
- Adjust of up to 7 degrees (each direction) rotationally for proper square alignment

Optical System:

- Self Flanged Aluminum Reflector with Semi-Diffuse Anodized Finish
- 80+ CRI / 3 SDCM Color Consistency
- 70% Lumen Maintenance at 50,000+ Hours
- 80 to 100 Lumens Per Watt
- Field Configurable Kelvin Temperature to 30K, 35K or 40K
- Lensed Wall Wash Option Available, may be orientated in 90 degree increments to housing

Electrical:

- 120 thru 277v 50/60hz Input Power
- <20% THD; PF > 0.9
- EMI FCC 47CFR Part 15, Class A
- Standard 0-10v dimming to 10%, 1% dimming available,
- Driver Sources up to 2ma of current to the dimming circuit
- FCC Part15, Class A

Certifications:

UL listed for Non-IC applications:

- Wet Location under covered ceilings with Downlight Option

Battery Back Up

- EMR option supplied with a pre-wired 7watt LED battery that is UL Listed for Field Installation. Remote Test Switch included.
- Top access required to service battery
- EMI Option supplied with a pre-wired 6watt, self-diagnostic, LED battery that is UL Listed for field installation. Test switch is supplied pre-installed integral with the reflector. Not suitable for use with Wall Wash reflector.

Warranty:

- Standard 5 Year Limited Warranty
- See www.heliosltg.com/warranty for Details.

ORDERING INFORMATION

ORDERING EXAMPLE: 4S15L35KAN

Aperture	Output	Kelvin	Reflector	Function	Dimming	Emergency
4S - 4" Square	10L - 1000 lumens	30K	AN - Semi-Diffuse Anodized Cone and Flange	Blank - 70° Wide Beam Downlight	Blank - 10%, 0-10V	Blank - No Battery
	15L - 1500 lumens	35K	WF - Anodized Cone and White Flange	MED - 50° Medium Beam Downlight	DM1- 1%, 0-10V	EMR - Battery Back Up with Remote Test Switch
	20L - 2000 lumens	40K	WH - White Cone & Trim	NRW - 25° Narrow Beam Downlight		EMI - Battery Back Up with Integral Test Switch
	25L - 2500 lumens		BF - Anodized Cone & Black Flange	SPT - 15° Spot Beam Downlight		GTD - Generator Transfer Device, 0-10v compatible
			BL - Black Cone and Black Flange	WW - Lens Wall Wash (not available with 2500 lumen)		

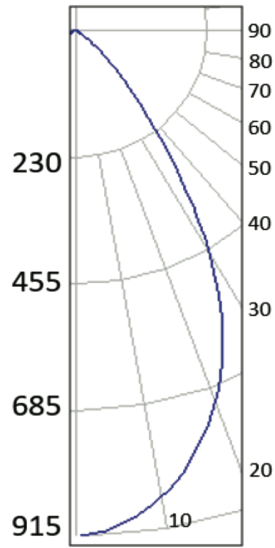
Housing and Reflector Ship Separately

Due to our continued efforts to improve our products, product specifications are subject to change without notice.

PHOTOMETRICS - 10L

Fixture: **4S15L35KAN**
LED: 3500 Kelvin, 80+ CRI

Delivered Lumens: 927
System Wattage: 9.5
System LPW: 98
Spacing Criteria: 0.95



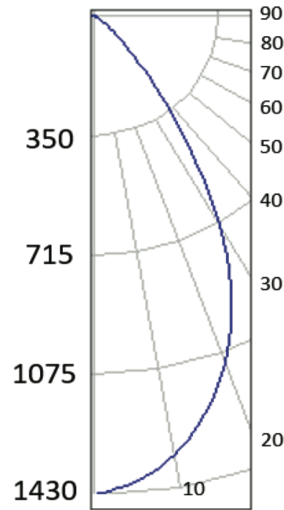
Degrees	Candela	Zonal Lumens		
		Zone	Total	% Luminaire
0				
10		85	85	9.2%
20		228	313	33.8%
30		286	599	64.6%
40		210	809	87.3%
50		88	897	96.8%
60		23	920	99.2%
70		5	925	99.8%
80		2	927	100.0%
90		0	927	100.0%

Test System: EVERFINE GO-R5000_V2 SYSTEM V2.0.403
Test Date: 2019-03-24
Tested in accordance to IESNA LM-79-2008

PHOTOMETRICS - 15L

Fixture: **4S15L35KAN**
LED: 3500 Kelvin, 80+ CRI

Delivered Lumens: 1434
System Wattage: 14.9
System LPW: 96
Spacing Criteria: .95



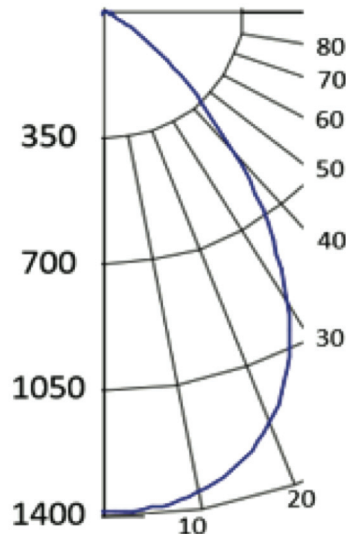
Degrees	Candela	Zonal Lumens		
		Zone	Total	% Luminaire
0	1428			
10	1350	133	133	7.4%
20	1150	353	486	28.0%
30	780	442	928	57.8%
40	320	323	1251	84.6%
50	90	135	1386	96.0%
60	14	36	1422	99.0%
70	4	8	1430	99.7%
80	1	3	1433	100.0%
90	0	1	1434	100.0%

Test System: EVERFINE GO-R5000_V2 SYSTEM V2.0.403
Test Date: 2019-03-24
Tested in accordance to IESNA LM-79-2008

PHOTOMETRICS - 20L

Fixture: **4S20L35KAN** LED: 3500 Kelvin, 80+ CRI

Delivered Lumens: 1804
System Wattage: 22.33
System LPW: 81
Spacing Criteria: 1.02



Degrees	Candela	Zonal Lumens		
		Zone	Total	% Luminaire
0	1384			
10	1337	131	131	7.3%
20	1184	364	495	27.4%
30	841	500	995	55.2%
40	422	452	1447	80.2%
50	138	258	1705	94.5%
60	19	83	1788	99.1%
70	3	12	1800	99.8%
80	1	3	1803	99.9%
90	0	1	1804	100.0%

Test System: EVERFINE GO-R5000_V2 SYSTEM V2.0.403
Test Date: 2020-01-08
Tested in accordance to IESNA LM-79-2008

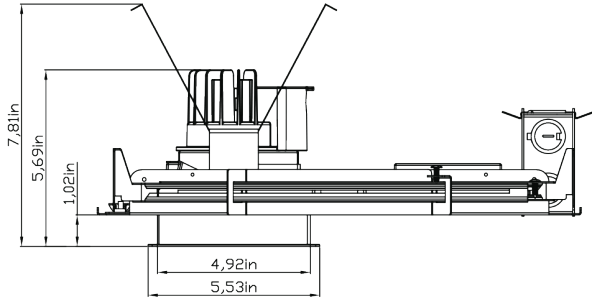
Housing and Reflector Ship Separately

Due to our continued efforts to improve our products, product specifications are subject to change without notice.

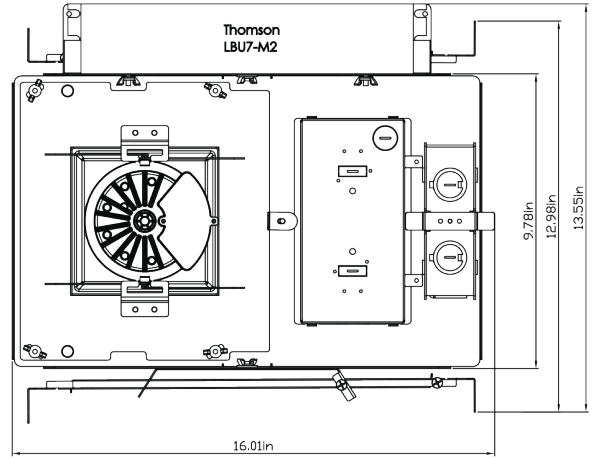
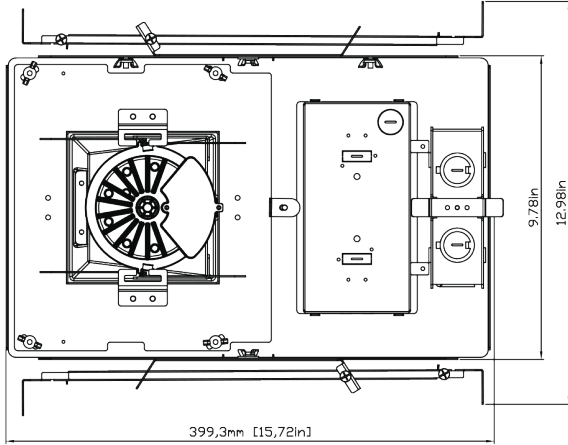
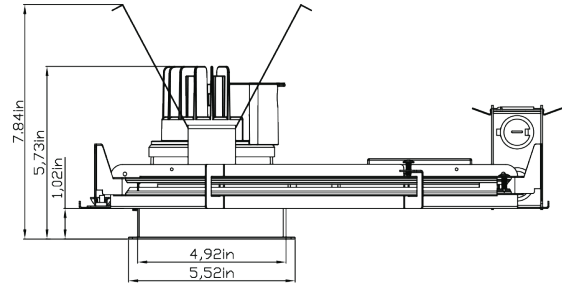
© 2019 Helios Lighting • All Rights Reserved • For more information visit our website: www.heliosltg.com

Revision: 03/18/24

Wall Wash Dimensions:



EMR Battery Backup Dimensions:



Housing and Reflector Ship Separately

Due to our continued efforts to improve our products, product specifications are subject to change without notice.