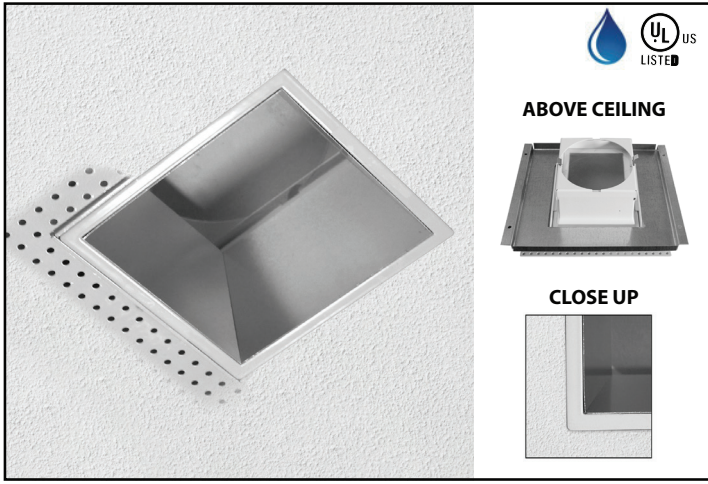
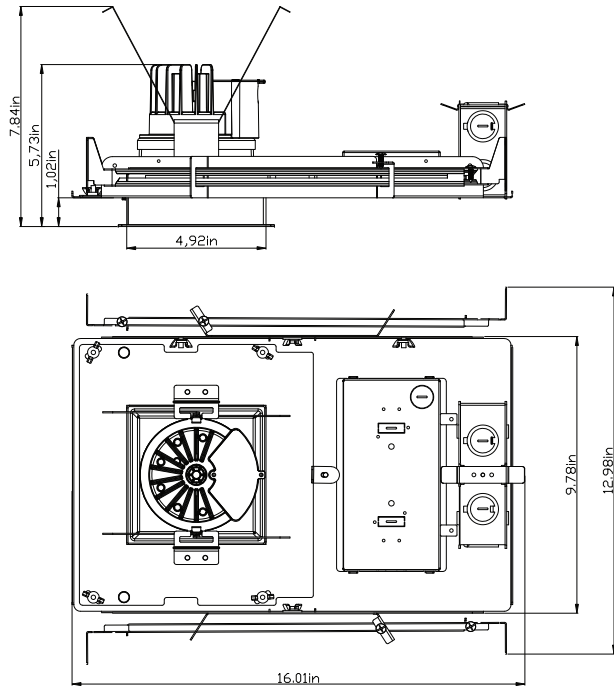


PRODUCT IMAGES



Standard Dimensions:



See Page 3 for additional dimensioned Line Art

SPECIFICATIONS

Applications:

- New Construction Recessed Downlight suitable for Commercial and Architectural Applications.
- Suitable for ambient temperatures up to 35C (95F) with free airflow around fixture.

Key Dimensions

- Aperture – 4.375"
- Ceiling Cutout – 4.875"

Construction:

- Galvanized Steel New Construction Housing
- Telescoping Bar Hangers Included (up to 24" grid)
- Light Engine and Driver Can Extend below the ceiling for ease of accessibility
- Adjust of up to 7 degrees (each direction) rotationally for proper square alignment

Optical System:

- Self Flanged Aluminum Reflector with Semi-Diffuse Anodized Finish
- 80+ CRI / 3 SDCM Color Consistency
- 70% Lumen Maintenance at 50,000+ Hours
- 80 to 100 Lumens Per Watt
- Lensed Wall Wash Option Available, may be orientated in 90 degree increments to housing

Electrical:

- 120 thru 277v 50/60hz Input Power
- <20% THD; PF > 0.9
- EMI FCC 47CFR Part 15, Class A
- Standard 0-10v dimming to 10%, 1% dimming available,
- Driver Sources up to 2ma of current to the dimming circuit
- FCC Part15, Class A

Certifications:

- UL listed for:
- Wet Location under covered ceilings with Downlight Option

Battery Back Up

- EMR option supplied with a pre-wired 7watt LED battery that is UL Listed for Field Installation. Remote Test Switch included.

Warranty:

- Standard 5 Year Limited Warranty
- See www.heliosltg.com/warranty for Details.

ORDERING INFORMATION

ORDERING EXAMPLE: 4S15L35KAN

Aperture	Output	Kelvin	Reflector	Function	Dimming	Emergency
4S - 4" Square	10L - 1000 lumens	30K	FMAN - Semi-Diffuse Anodized Cone and Flush Mount Flange	Blank - Downlight	Blank - 10%, 0-10V DM1 - 1%, 0-10V	Blank - No Battery EMR - Battery Back Up with Remote Test Switch GTD - Generator Transfer Device, 0-10v compatible
	15L - 1500 lumens	35K		WW - Lens Wall Wash		
	20L - 2000 lumens	40K	MED - Medium Beam Downlight			
	25L - 2500 lumens		NRW - Narrow Beam Downlight SPT - Spot Beam Downlight			

Housing and Reflector Ship Separately

Due to our continued efforts to improve our products, product specifications are subject to change without notice.

PHOTOMETRICS - 10L

Fixture: **4S15L35KAN**

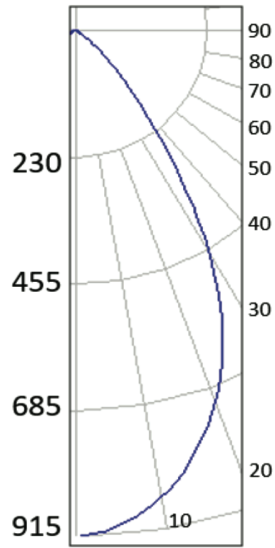
LED: 3500 Kelvin, 80+ CRI

Delivered Lumens: 927

System Wattage: 9.5

System LPW: 98

Spacing Criteria: 0.95



Degrees	Candela	Zonal Lumens		
		Zone	Total	% Luminaire
0				
10		85	85	9.2%
20		228	313	33.8%
30		286	599	64.6%
40		210	809	87.3%
50		88	897	96.8%
60		23	920	99.2%
70		5	925	99.8%
80		2	927	100.0%
90		0	927	100.0%

Test System:EVERFINE GO-R5000_V2 SYSTEM V2.0.403

Test Date: 2019-03-24

Tested in accordance to IESNA LM-79-2008

PHOTOMETRICS - 15L

Fixture: **4S15L35KAN**

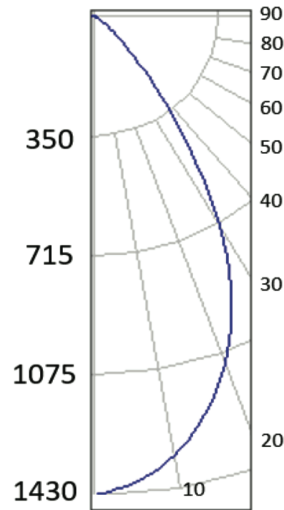
LED: 3500 Kelvin, 80+ CRI

Delivered Lumens: 1434

System Wattage: 14.9

System LPW: 96

Spacing Criteria: .95



Degrees	Candela	Zonal Lumens		
		Zone	Total	% Luminaire
0	1428			
10	1350	133	133	7.4%
20	1150	353	486	28.0%
30	780	442	928	57.8%
40	320	323	1251	84.6%
50	90	135	1386	96.0%
60	14	36	1422	99.0%
70	4	8	1430	99.7%
80	1	3	1433	100.0%
90	0	1	1434	100.0%

Test System:EVERFINE GO-R5000_V2 SYSTEM V2.0.403

Test Date: 2019-03-24

Tested in accordance to IESNA LM-79-2008

PHOTOMETRICS - 20L

Fixture: **4S20L35KAN**

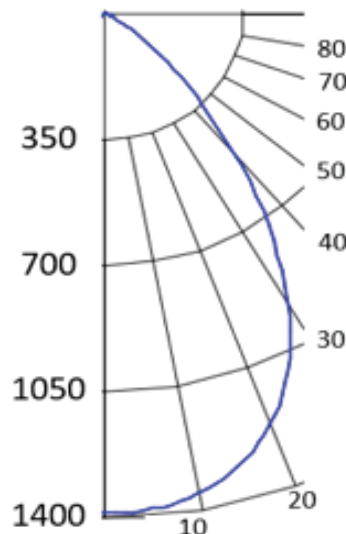
LED: 3500 Kelvin, 80+ CRI

Delivered Lumens: 1804

System Wattage: 22.33

System LPW: 81

Spacing Criteria: 1.02



Degrees	Candela	Zonal Lumens		
		Zone	Total	% Luminaire
0	1384			
10	1337	131	131	7.3%
20	1184	364	495	27.4%
30	841	500	995	55.2%
40	422	452	1447	80.2%
50	138	258	1705	94.5%
60	19	83	1788	99.1%
70	3	12	1800	99.8%
80	1	3	1803	99.9%
90	0	1	1804	100.0%

Test System:EVERFINE GO-R5000_V2 SYSTEM V2.0.403

Test Date: 2020-01-08

Tested in accordance to IESNA LM-79-2008

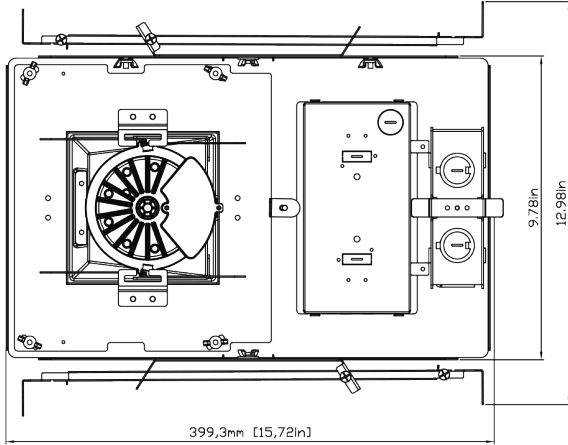
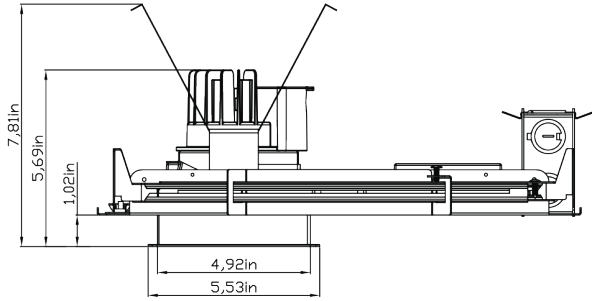
Housing and Reflector Ship Separately

Due to our continued efforts to improve our products, product specifications are subject to change without notice.

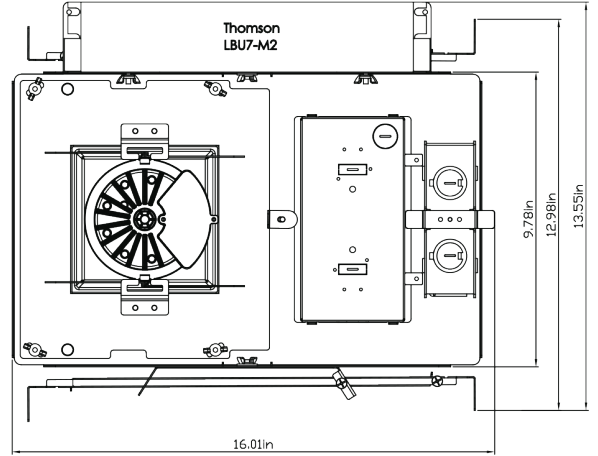
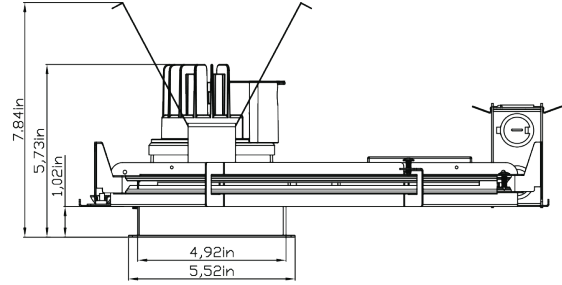
© 2019 Helios Lighting • All Rights Reserved • For more information visit our website: www.heliosltg.com

Revision: 08/17/23

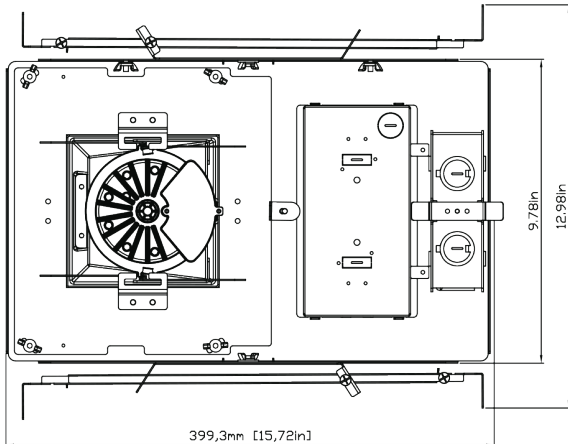
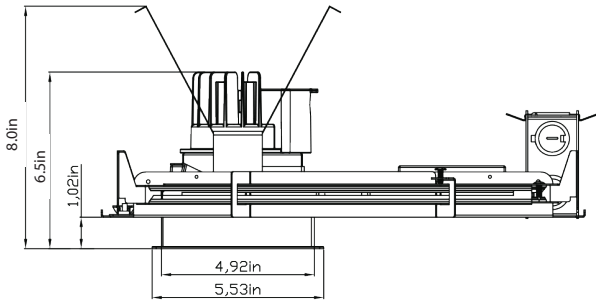
Wall Wash Dimensions:



EMR Battery Backup Dimensions:



Medium, Narrow, and Spot Beam Housing Dimensions



Housing and Reflector Ship Separately

Due to our continued efforts to improve our products, product specifications are subject to change without notice.