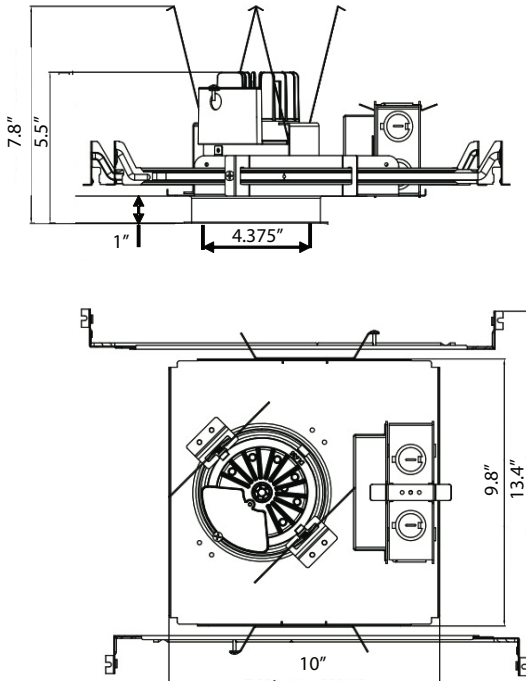


### PRODUCT IMAGES



### Standard Dimensions:



See Page 3 for additional dimensioned Line Art

### SPECIFICATIONS

#### Applications:

- New Construction Recessed Downlight suitable for Commercial and Architectural Applications.
- Suitable for ambient temperatures up to 35C (95F) with free airflow around fixture.

#### Key Dimensions

- Aperture – 4.375"
- Ceiling Cutout – 4.875"

#### Construction:

- Galvanized Steel New Construction Housing
- Telescoping Bar Hangers Included (up to 24" grid)
- Light Engine and Driver Can Extend below the ceiling for ease of accessibility

#### Optical System:

- Self Flanged Aluminum Reflector with Semi-Diffuse Anodized Finish
- 80+ CRI / 3 SDCM Color Consistency
- 70% Lumen Maintenance at 50,000+ Hours
- 80 to 100 Lumens Per Watt
- Lensed Wall Wash Option Available, may be orientated in 90 degree increments to housing

#### Electrical:

- 120 thru 277v 50/60hz Input Power
- <20% THD; PF > 0.9
- EMI FCC 47CFR Part 15, Class A
- Standard 0-10v dimming to 10%, 1% dimming available,
- Driver Sources up to 2ma of current to the dimming circuit
- FCC Part15, Class A

#### Certifications:

UL listed for Non-IC applications:

- Wet Location under covered ceilings with Downlight Option
- Energy Star Listed

#### Battery Back Up

- EMR option supplied with a pre-wired 7watt LED battery that is UL Listed for Field Installation. Remote Test Switch included.
- Top access required to service battery

#### Warranty:

- Standard 5 Year Limited Warranty
- See [www.heliosltg.com/warranty](http://www.heliosltg.com/warranty) for Details.

## ORDERING INFORMATION

ORDERING EXAMPLE: 6R15L35KAN

Aperture	Output	Kelvin	Reflector	Function	Dimming	Emergency
4R - 4" Round	05L - 500 lumens	30K	FMWF - Semi-Diffuse Anodized Cone and White Flush Mount Flange	Blank - Downlight	Blank - 10%, 0-10V	Blank - No Battery
	10L - 1000 lumens	35K	FMWH - White Cone and Flush Mount Flange	MED - 70° Wide Beam Downlight	DM1 - 1%, 0-10V	EMR - Battery Back Up with Remote Test Switch
	15L - 1500 lumens	40K		NRW - 50° Medium Beam Downlight		GTD - Generator Transfer Device, 0-10v compatible
	20L - 2000 lumens			SPT - 15° Spot Beam Downlight		
	25L - 2500 lumens			WW- Lens Wall Wash		

Housing and Reflector Ship Separately

Due to our continued efforts to improve our products, product specifications are subject to change without notice.

## BEAM SUMMARY

4R		Wide	Medium	Narrow	Spot
10L	Lumens	923	1086	1150	1213
	CBCP	913	1505	4479	7282
	Wattage	11	11	11	11
15L	Lumens	1450	1508	1606	1679
	CBCP	1427	2099	6246	10033
	Wattage	15	16	16	16
20L	Lumens	2027	2023	2155	2247
	CBCP	1673	2818	8375	13657
	Wattage	23	22	22	22
25L	Lumens	2513	2479	2639	2796
	CBCP	3325	3439	10286	17053
	Wattage	30	30	30	30
Beam Full Width, Half Max		70	50	23	18
Cut Off 10% Max, Half Angle		47	38	24	18
Spacing		1.00	0.80	0.40	0.30

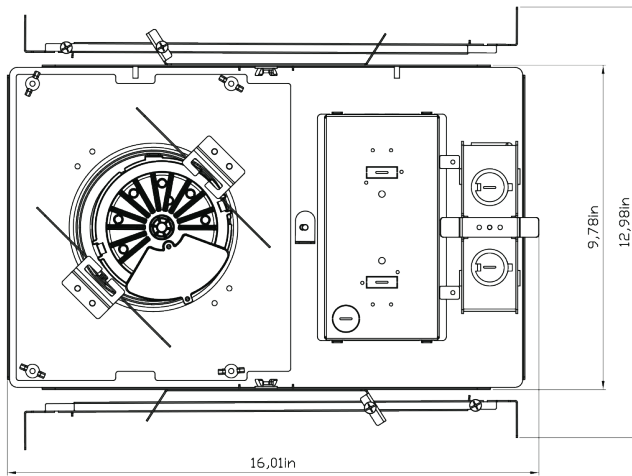
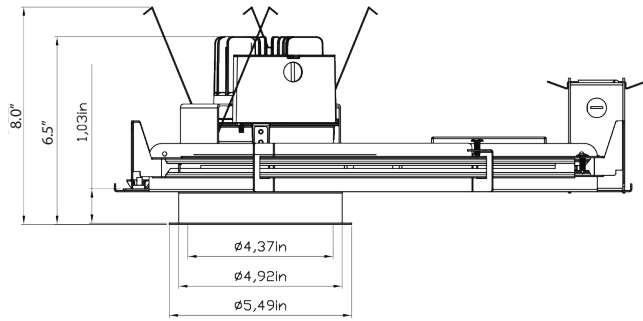
Housing and Reflector Ship Separately

Due to our continued efforts to improve our products, product specifications are subject to change without notice.

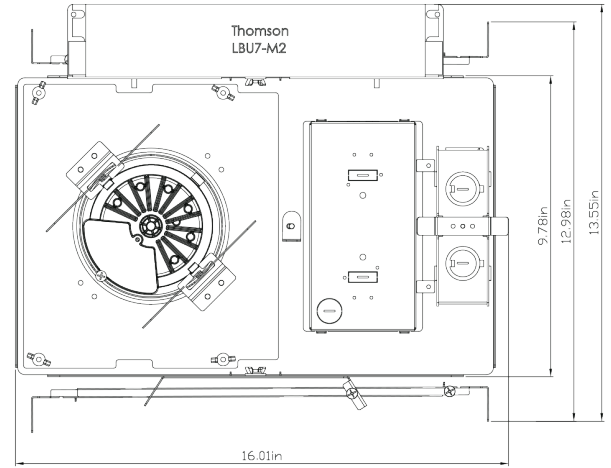
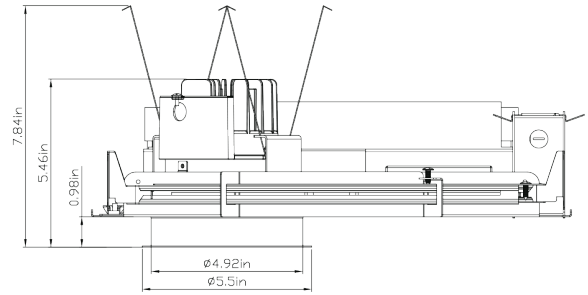
© 2019 Helios Lighting • All Rights Reserved • For more information visit our website: [www.heliosltg.com](http://www.heliosltg.com)

Revision: 08/17/23

## Narrow, Medium, and Spot Beam Housing Dimensions



## EMR Dimensions



Housing and Reflector Ship Separately

Due to our continued efforts to improve our products, product specifications are subject to change without notice.  
 © 2019 Helios Lighting • All Rights Reserved • For more information visit our website: [www.heliosltg.com](http://www.heliosltg.com)

Revision: 08/17/23