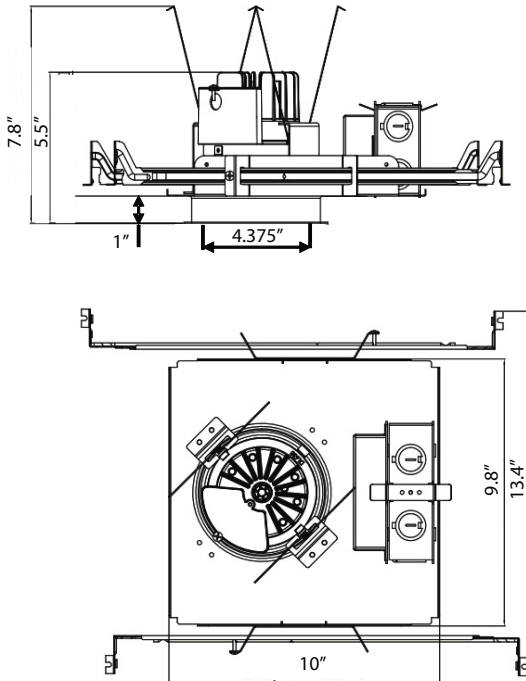


PRODUCT IMAGES



Standard Dimensions:



See Page 3 for additional dimensioned Line Art

SPECIFICATIONS

Applications:

- New Construction Recessed Downlight suitable for Commercial and Architectural Applications.
- Suitable for ambient temperatures up to 35C (95F) with free airflow around fixture.

Key Dimensions

- Aperture – 4.375"
- Ceiling Cutout – 4.875"

Construction:

- Galvanized Steel New Construction Housing
- Telescoping Bar Hangers Included (up to 24" grid)
- Light Engine and Driver Can Extend below the ceiling for ease of accessibility

Optical System:

- Self Flanged Aluminum Reflector with Semi-Diffuse Anodized Finish
- 90+ CRI Option
- Dim To Warm Option from 3000K to 2000K
- 70% Lumen Maintenance at 50,000+ Hours
- Lensed Wall Wash Option Available, may be orientated in 90 degree increments to housing

Electrical:

- 120 thru 277v 50/60Hz Input Power
- <20% THD; PF > 0.9
- EMI FCC 47CFR Part 15, Class A
- Standard 0-10v dimming to 10%, 1% dimming available,
- Driver Sources up to 2ma of current to the dimming circuit
- FCC Part15, Class A

Certifications:

UL listed for Non-IC applications:

- Wet Location under covered ceilings with Downlight Option

Battery Back Up

- EMR option supplied with a pre-wired 7watt LED battery that is UL Listed or Field Installation. Remote Test Switch included.
- Top access required to service battery

Warranty:

- Standard 5 Year Limited Warranty
- See www.heliosltg.com/warranty for Details.

ORDERING INFORMATION

ORDERING EXAMPLE: 6R15L35KAN

Aperture	Output	Kelvin	Reflector	Function	Dimming	Emergency
4R - 4" Round	05L - 500 lumens	30K9 - 90+ CRI	AN - Semi-Diffuse Anodized Cone and Flange	Blank - Downlight WW- Lens Wall Wash	Blank - 10%, 0-10V DM1- 1%, 0-10V	Blank - No Battery EMR - Battery Back Up with Remote Test Switch EMI - Battery Back-Up with Integral Test Switch GTD - Generator Transfer Device, 0-10v compatible
	10L - 1000 lumens	35K9 - 90+ CRI	WF - Anodized Cone and White Flange			
	15L - 1500 lumens	40K9 - 90+ CRI	WH - White Cone and Flange			
	20L - 2000 lumens	30/20DTW - 3000K to 2000K Dim To Warm	BF - Anodized Cone and Black Flange			
			BL - Black Cone and Black Flange			
		AMB - Nano AntiMicrobial White Paint				

Housing and Reflector Ship Separately

Due to our continued efforts to improve our products, product specifications are subject to change without notice.

© 2019 Helios Lighting • All Rights Reserved • For more information visit our website: www.heliosltg.com

Revision: 08/17/23